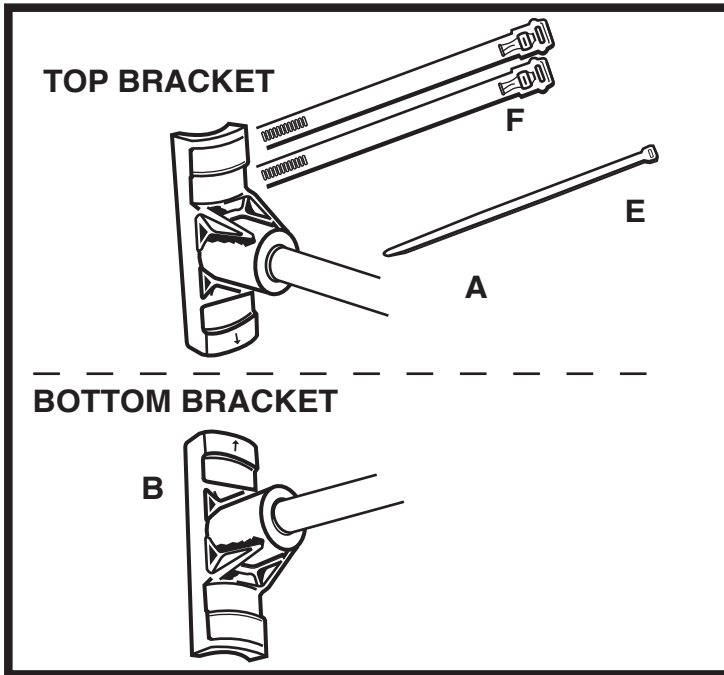


# BANNER UP!

## "WindSaver" XL Bracket System



### ASSEMBLY INSTRUCTIONS

- 1) Place top bracket/rod assembly at desired height on pole - Arrow on aluminum bracket must be facing (down) towards the banner. Using 3 clamps (f) secure top bracket to pole.

**NOTE:** You must use screwdriver to achieve correct tensioning.

- 2) **TIP!!** After installing top bracket you can slide banner onto top bracket and let fall to determine where the bottom bracket will be placed on the light pole. place bottom bracket/rod assembly to pole. Secure bracket assembly to pole using 3 clamps (f), same as in step 4. **NOTE:** Arrow on aluminum bracket must be facing towards the banner or banner will not fit properly.

- 3) Slide the banner pockets over the top/bottom bracket arms and pull tight to create tension on banner. Tighten clamps with screwdriver and slight tap on bottom plate to increase tension. Use zip ties to go through grommet and around pole to secure banner.

#### "SINGLE BRACKET SET" INVENTORY LIST

- 2 (a) Fiberglass Rod-30"  
(can be customized to any length)
- 2 (b) Aluminum Bracket Bases
- 2 (e) Cable Ties
- 6 (f) SS Band Clamp (40")

#### "DOUBLE BRACKET SET" INVENTORY LIST

- 4 (a) Fiberglass Rod-30"  
(can be customized to any length)
- 4 (b) Aluminum Bracket Bases
- 4 (e) Cable Ties
- 6 (f) SS Band Clamp (40")

### RECOMMENDED INSTALLATION TOOLS

- Slotted Screw Driver\*
- Hammer or Mallet
- Extension Ladder or Boom Truck

#### •Installation Note:

**All clamps should be tightened with only a screwdriver. Powered tools will break the clamps**

### DOUBLE BRACKET SYSTEM INSTALLATION

If you are installing double brackets follow all of the steps above except use (2) Windsaver Bracket/Rod assemblies top and bottom - Parallel to each other.

#### NOTE:

**You will still use the same amount of clamps (f) to secure double system to pole. For double bracket systems you may find it easier to install brackets first and then assemble fiberglass rods into brackets.**

Banner-Up! "WindSaver" Light Pole Bracket System are warranted against manufacturer defect only. Over time the aluminum base will oxidize, this will NOT effect performance of the bracket system. If you are installing on an aluminum pole it will eventually match the sheen. ALWAYS inspect the band clamps when reinstalling bracket system. It is more cost effective to replace at time of reinstallation than when failure occurs.